



DFR 36

**COUNCIL OF HIGHER SECONDARY EDUCATION, ODISHA**  
**PRAJNAPITHA, SAMANTAPUR, BHUBANESWAR-751013**

No. A.S.W.-64/2024/ 4498 /CHSE (O), dt. 13.11.2024

From

The Administrative Officer,  
CHSE (O), Bhubaneswar.

To

The Head of the Institutions/ the Principals of Higher Secondary Schools/Colleges

Sub:- Fixture of **Kabaddi (Boys)** tournament for the Session 2024-25.

Madam/ Sir,

I am directed to send herewith the fixture of inter H. S. School, **Kabaddi (Boys)** tournament of the Council for the Session 2024-25 to be held at **different Zones, from 17.11.2024 to 19.11.2024 Zonal level , Final Zone & Selection Trial at Municipal H.S. School, Rourkela, Sundergarh from 21.11.2024 to 22.11.2024** as per SGFI Rules -2024-25, ( Fixture Annexed herewith).

You are requested to send the team the age under of 19 (under-19) (as on 31.12.2024) to the Organizing Higher Secondary School and report at the above Higher Secondary School in schedule date at **7.00 A.M.** for participation.

The TA/DA/CA of the players as well as of the team Manager will be borne by the sponsoring institution.

Refreshment charges @ Rs.150/- (Rupees One Hundred Twenty) only per player per day of game shall be paid by the Council through Organizing Zone. An eligibility proforma enclosed herewith duly filled along with a group photograph of the Principal, Manager and Players shall be submitted in the Council for necessary action.

The players are also requested to produce self-attested photocopy of **H.S. School ID Card, Aadhar Card and Birth Certificate** (issued by the Birth and Death Authority) in the venue for verification. **Any query, you may contact** mobile number mentioned on the fixture.

Yours faithfully,

  
Administrative Officer

Memo No. 4499 /CHSE(O), Dt. 13.11.2024

Copy forwarded to the P.S. to Chairperson/ All Officers/ All Zones for information and necessary action.

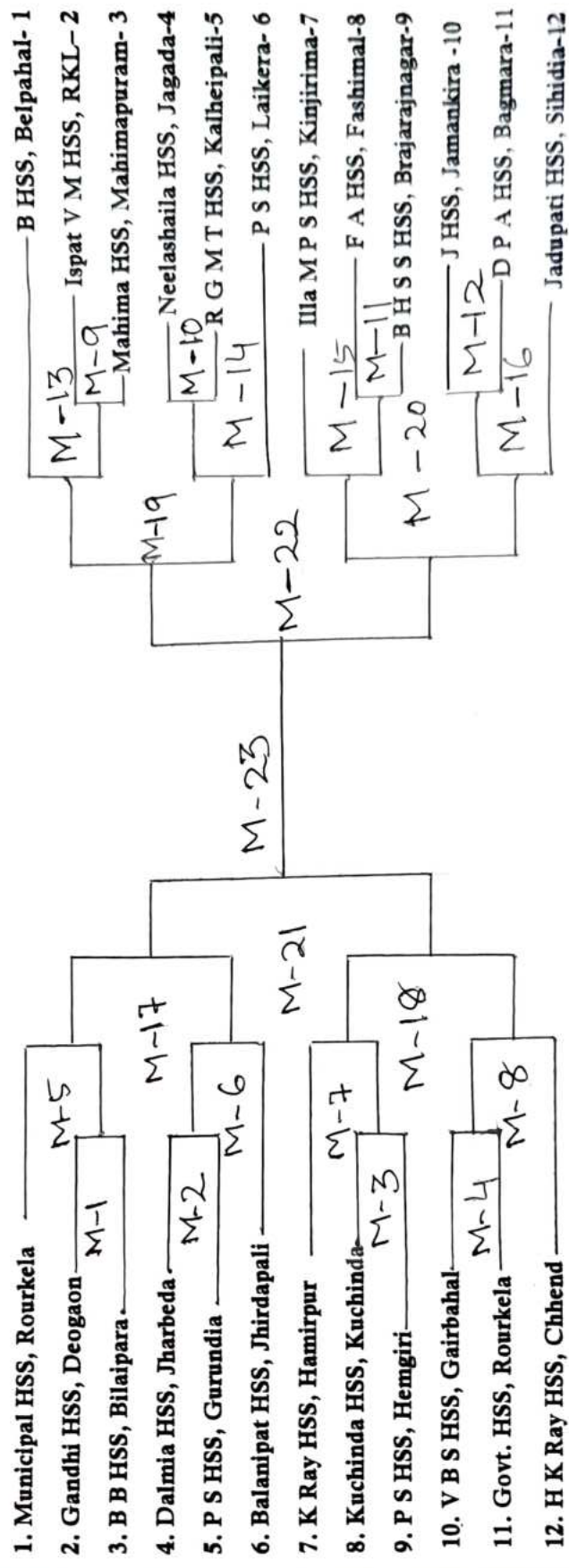
  
Administrative Officer

23

**COUNCIL OF HIGHER SECONDARY EDUCATION, ODISHA, BHUBANESWAR**  
**INTER HIGHER SECONDARY SCHOOL KABADDI (BOYS) TOURNAMENT - 2024-25**  
**VENUE - MUNICIPAL HIGHER SECONDARY SCHOOL, ROURKELA**

Mob. No. : 9437246229

**FIXTURE (Zone - A )**



Dt. 17 /11/2024 8.00 am onwards - M-1 to M-8  
 Dt. 18 /11/2024 8.00 am onwards - M-9 to M-16  
 Dt. 19 /11/2024 8.00 am onwards - M-17 to M-23

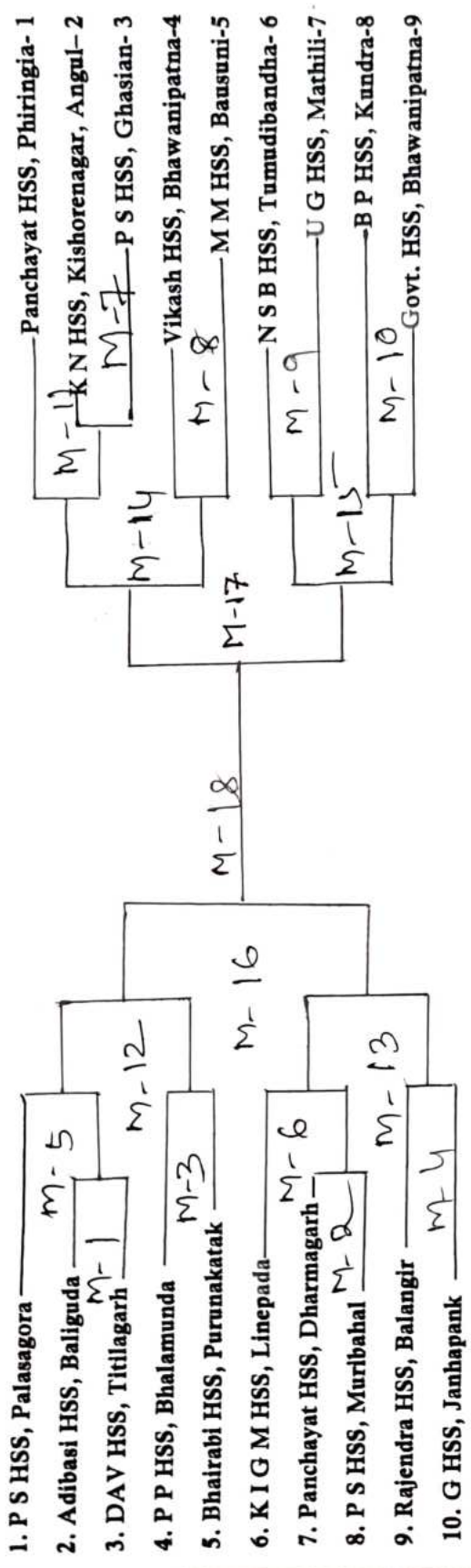
Secretary  
 C.H.S.E, Odisha

17, 18, 19 - Round  
 21, 22 - final

**COUNCIL OF HIGHER SECONDARY EDUCATION, ODISHA, BHUBANESWAR  
 INTER HIGHER SECONDARY SCHOOL KABADDI (BOYS) TOURNAMENT - 2024-25  
 VENUE - PANCHAYAT SAMITI HIGHER SECONDARY SCHOOL, PALASAGORA**

Mob. No.: 9937104096

**FIXTURE (Zone - B )**



Dt. 17 /11/2024 8.00 am onwards - M-1 to M-6  
 Dt. 18 /11/2024 8.00 am onwards - M-7 to M-12  
 Dt. 19 /11/2024 8.00 am onwards - M-13 to M-18

Secretary  
 C.H.S.E, Odisha

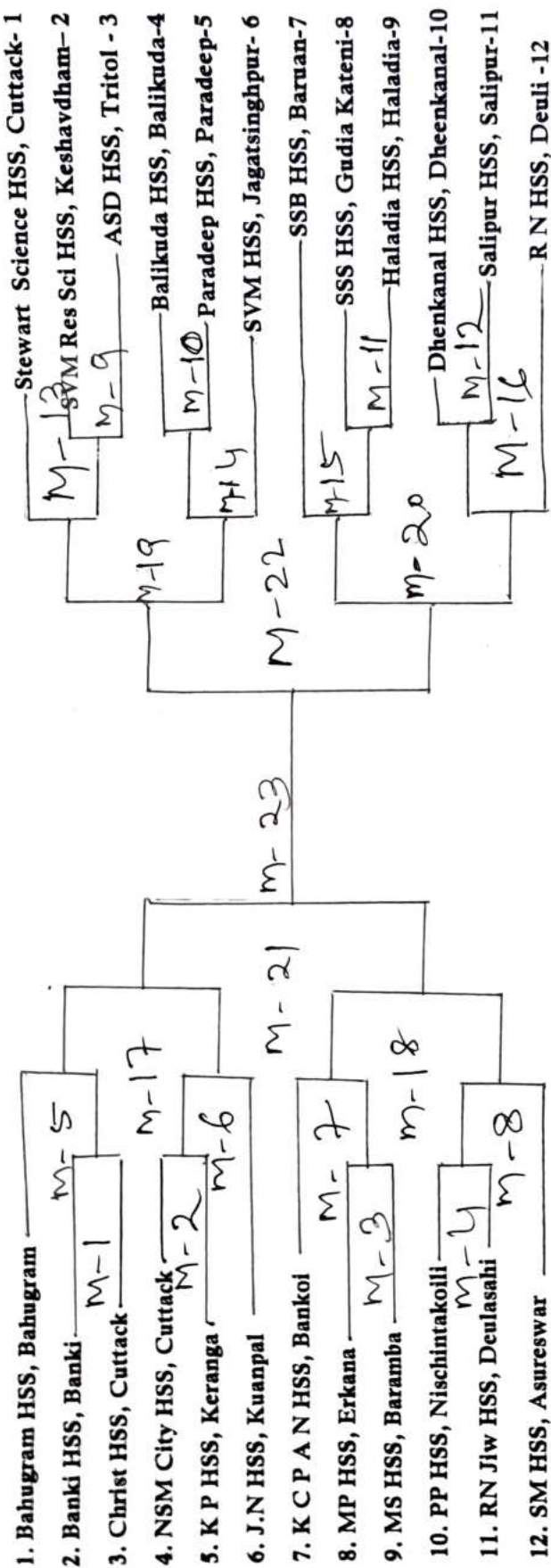




**COUNCIL OF HIGHER SECONDARY EDUCATION, ODISHA, BHUBANESWAR**  
**INTER HIGHER SECONDARY SCHOOL KABADDI (BOYS) TOURNAMENT - 2024-25**  
**VENUE - BANKI HIGHER SECONDARY SCHOOL, BANKI**

Mob. No. : 9937550238, 9437220110

**FIXTURE (Zone - D )**



**DATE & TIME OF THE MATCHES:-**

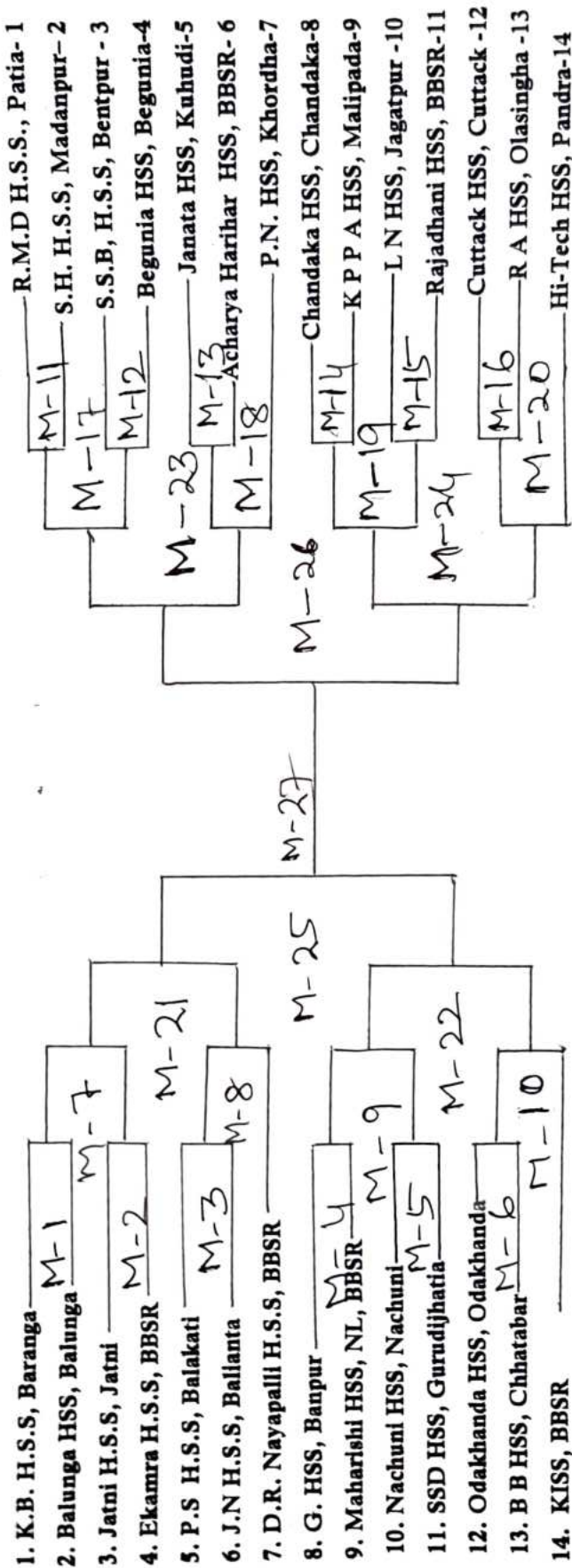
- Dt. 17 /11/2024 8.00 am onwards - M-1 to M-8
- Dt. 18 /11/2024 8.00 am onwards - M-9 to M-16
- Dt. 19 /11/2024 8.00 am onwards - M-17 to M-24

Secretary  
 C.H.S.E, Odisha

**COUNCIL OF HIGHER SECONDARY EDUCATION, ODISHA, BHUBANESWAR**  
**INTER HIGHER SECONDARY SCHOOL KABADDI (BOYS) TOURNAMENT - 2024-25**  
**VENUE - R.M.D H.S.S OF SCI. & EDN, PATIA, BBSR**

Mob. No. : 9937282704

**FIXTURE (Zone - E )**



**DATE & TIME OF THE MATCHES:-**

- Dt. 17 /11/2024 8.00 am onwards- M-1 to M-9
- Dt. 18 /11/2024 8.00 am onwards- M-10 to M-18
- Dt. 19 /11/2024 8.00 am onwards- M-19 to M-27

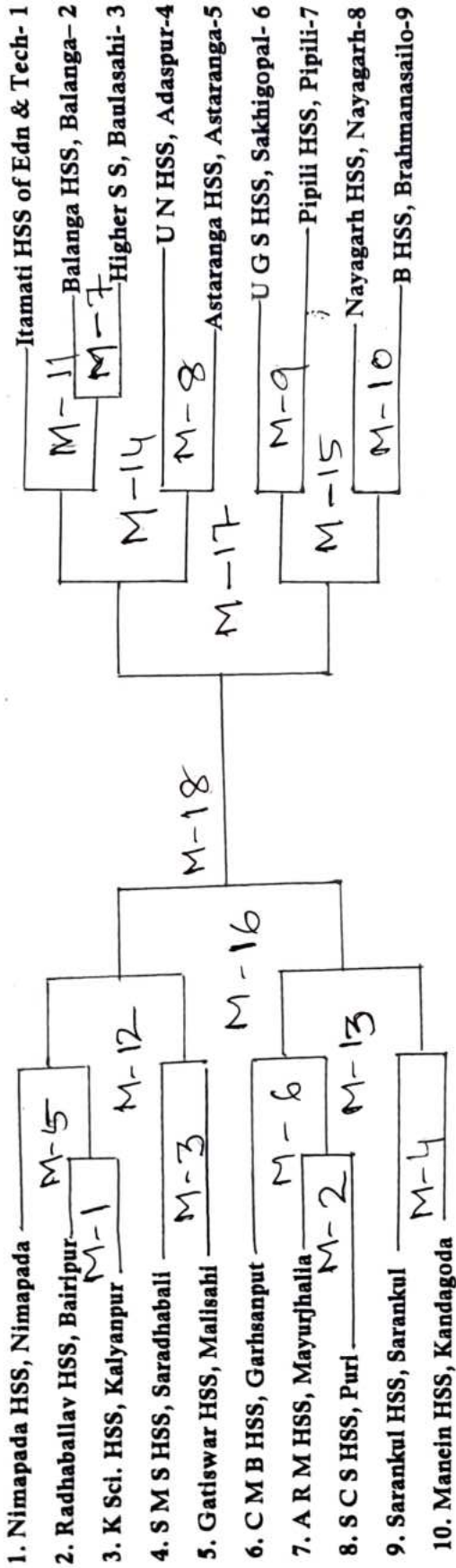
Secretary  
C.H.S.E, Odisha



**COUNCIL OF HIGHER SECONDARY EDUCATION, ODISHA, BHUBANESWAR**  
**INTER HIGHER SECONDARY SCHOOL KABADDI (BOYS) TOURNAMENT – 2024-25**  
**VENUE – NIMAPADA HIGHER SECONDARY SCHOOL, NIMAPADA**

Mob. No. : 9937198131, 9337056439

**FIXTURE (Zone – F )**

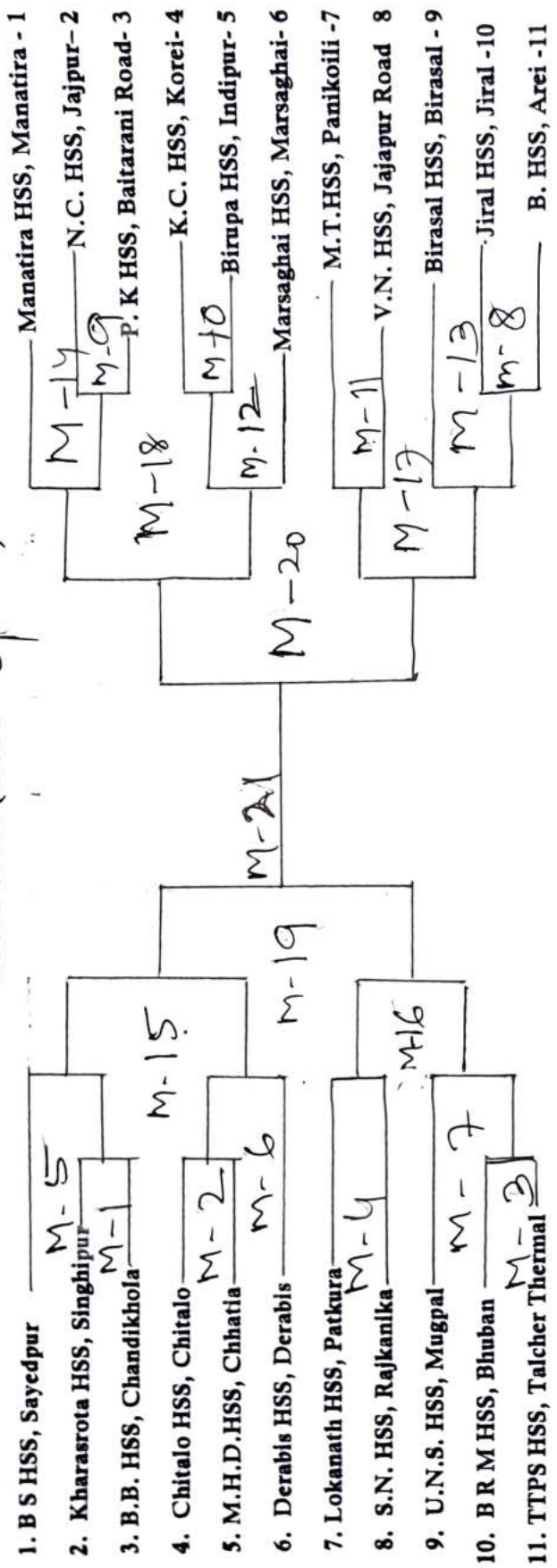


Dt. 17 /11/2024 8.00 am onwards - M-1 to M-6  
 Dt. 18 /11/2024 8.00 am onwards - M-7 to M-12  
 Dt. 19 /11/2024 8.00 am onwards - M-13 to M-18

Secretary  
 C.H.S.E, Odisha

**COUNCIL OF HIGHER SECONDARY EDUCATION, ODISHA, BHUBANESWAR  
 INTER HIGHER SECONDARY SCHOOL KABADDI (BOYS) TOURNAMENT - 2024-25  
 VENUE - BARUNESWAR HIGHER SECONDARY SCHOOL, JAJPUR, MOB:- 6370651691**

**FIXTURE (Zone - G)**



**DATE & TIME OF THE MATCHES:-**

- Dt. 17 /11/2024 8.00 am onwards - M-1 to M-8
- Dt. 18 /11/2024 8.00 am onwards - M-9 to M-16
- Dt. 19 /11/2024 8.00 am onwards - M-17 to M-21

Secretary  
 C.H.S.E, Odisha



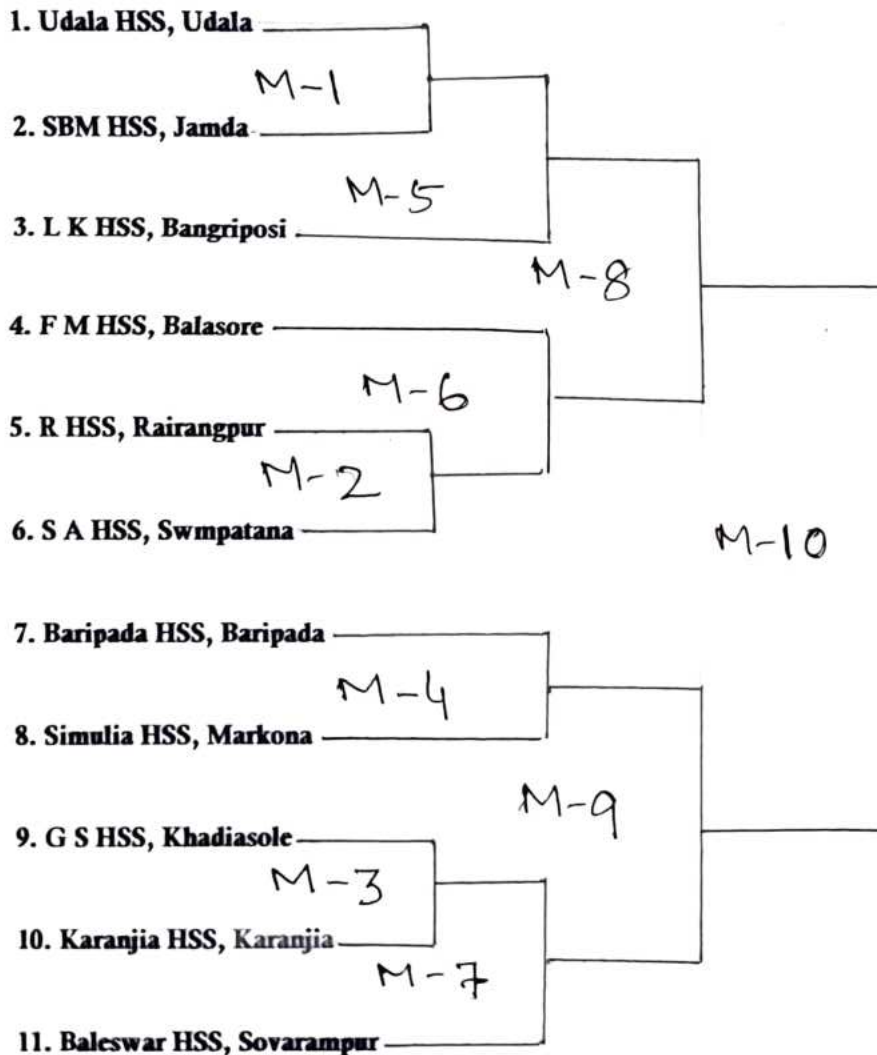
(18)

**COUNCIL OF HIGHER SECONDARY EDUCATION, ODISHA  
BHUBANESWAR  
INTER HIGHER SECONDARY SCHOOL KABADDI (BOYS)  
TOURNAMENT – 2024-25**

**VENUE – UDALA HIGHER SECONDARY SCHOOL, UDALA**

**Mob. No. : 824986 2096**

**FIXTURE (Zone – H )**



**DATE & TIME OF THE MATCHES:-**

**Dt. 17 /11/2024 8.00 am onwards- M-1 to M-6**

**Dt. 18 /11/2024 8.00 am onwards- M-7 to M-10**

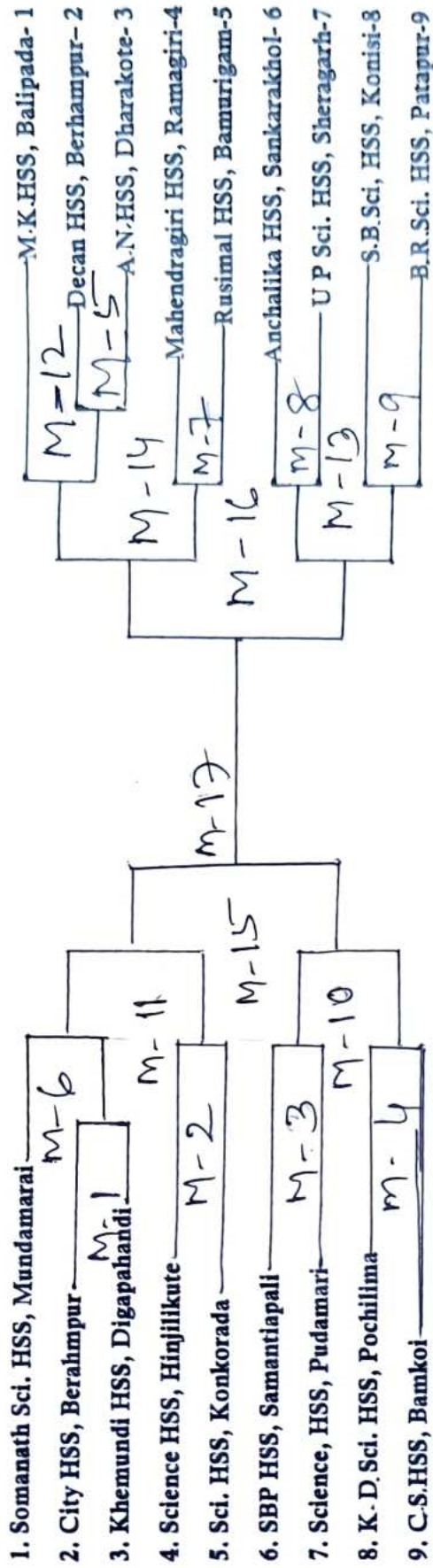
**Secretary  
C.H.S.E.ODISHA**



**COUNCIL OF HIGHER SECONDARY EDUCATION, ODISHA, BHUBANESWAR**  
**INTER HIGHER SECONDARY SCHOOL KABADDI (BOYS) TOURNAMENT - 2024-25**  
**VENUE - SCIENCE HIGHER SECONDARY SCHOOL, PUDAMARI**

Mob. No. : 8917557676

**FIXTURE (Zone - J )**



- Dt. 17 /11/2024 8.00 am onwards - M-1 to M-6
- Dt. 18 /11/2024 8.00 am onwards - M-7 to M-12
- Dt. 19 /11/2024 8.00 am onwards - M-13 to M-17

Secretary  
 C.H.S.E, Odisha

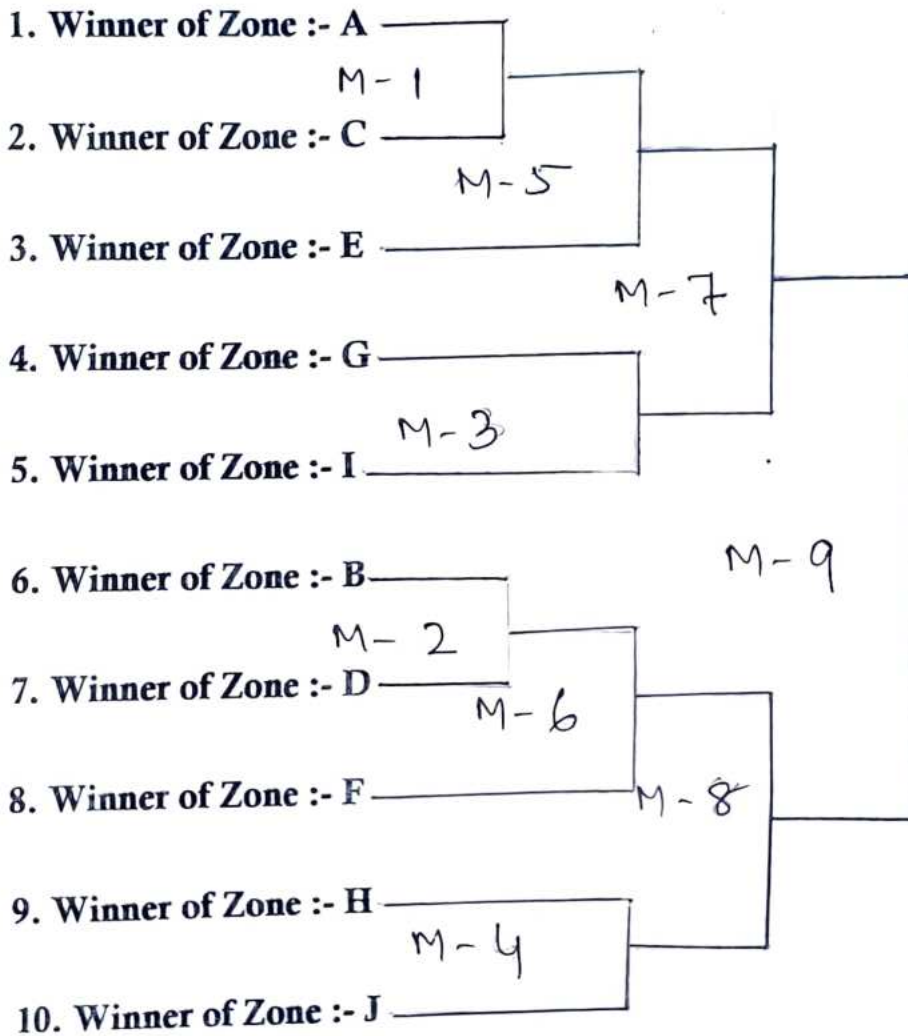


**COUNCIL OF HIGHER SECONDARY EDUCATION, ODISHA**  
**BHUBANESWAR**  
**INTER HIGHER SECONDARY SCHOOL KABADDI (BOYS)**  
**TOURNAMENT – 2024-25**

**VENUE – MUNICIPAL HIGHER SECONDARY SCHOOL, ROURKELA**

**Mob. No. : 9437246229**

**FIXTURE (Final Zone)**



**DATE & TIME OF THE MATCHES:-**

Dt. 21 /11/2024 8.00 am onwards - M-1 to M-6

Dt. 22 /11/2024 8.00 am onwards - M-7 to M-9

**Selection Trial on Dt. 22../11/2024**

Secretary  
C.H.S.E.ODISHA